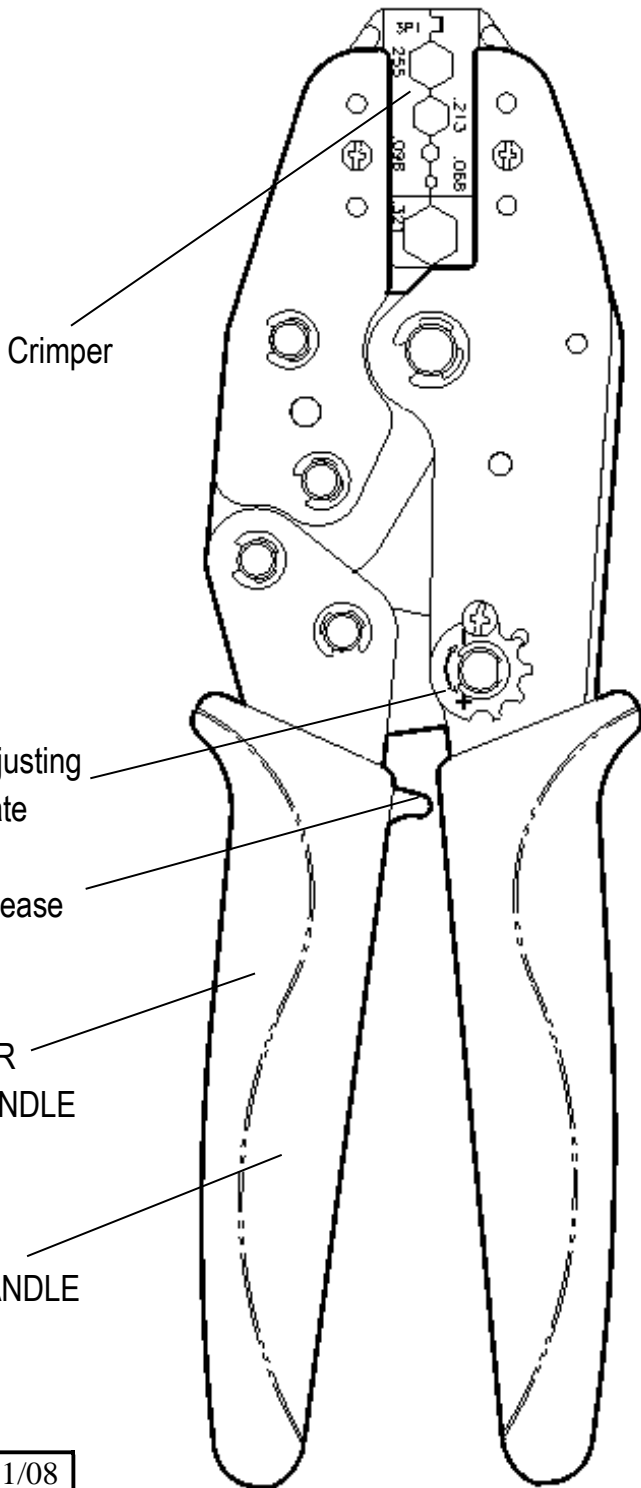


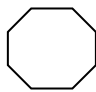
RATCHET CRIMPING TOOL



Specification :

* **Item No** : TOOL2HQ

* **Function** :

	.255" 6.48mm	.213" 5.41mm	.098" 2.49mm	.068" 1.73mm	.321" 8.15mm
Description	For Crimping RG 58,59,62,6 Cable				

* **Length** : 9" (229mm)

* **Weight** : 600g

* **Material** :

Frame – Middle Carbon Steel .
Crimper- Made Of Off Wax.

* **Finished** :

Black Oxide Finished With Hardened

* **Handles** :

Black – TPR (Pantone# 426C)
Red – PP (Pantone#1795C)

12/31/08

KEIRA