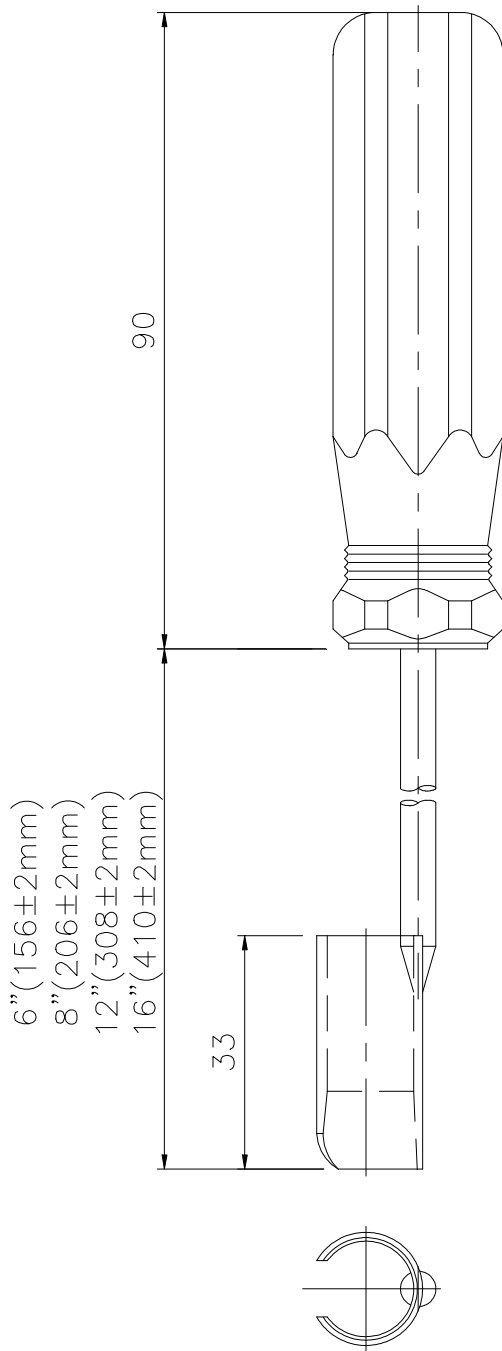


BNC Connector Removal tool



Specification :

* **Item No** : TOOL15 & TOOL15-6

* **Function** :

Remove BNC connectors in high density or hard-to-reach locations.

* **Length** :

TOOL15-6 : 6" (156±2mm)

TOOL15 : 12" (308±2mm)

* **Weight** :

TOOL15-6 : 76 g

TOOL15 : 102g

* **Material** : Middle Carbon Steel.
(with Nickel-plated)

* **Frame** : Chrome plating.

