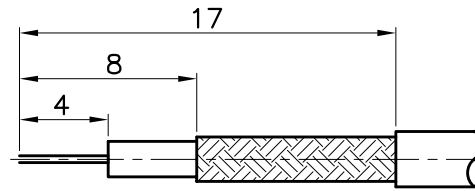
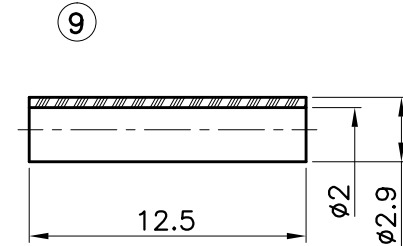
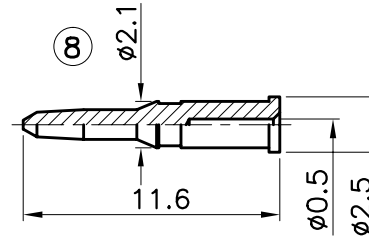
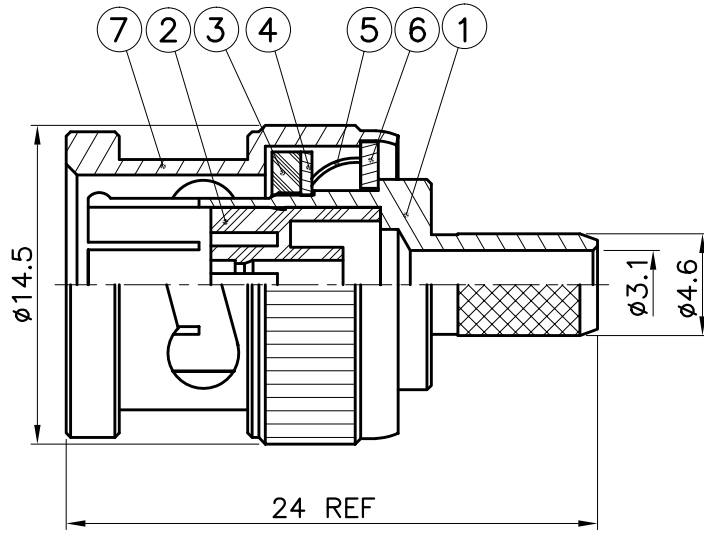


REVISIONS		
ISS	DESCRIPTION	DATE

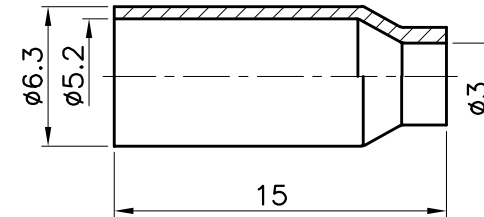
RoHS COMPLIANT



RECOMMENDED
CABLE STRIPPING DIM'S



10



1. CRIMPED FERRULE
HEX CRIMP SIZE .213"
2. CRIMPED CONTACT PIN
HEX CRIMP SIZE .068"

TITLE: BNC MALE CRIMP (75 ohms) (FOR RG179/U)	APRD:	UNLESS OTHERWISE SPECIFIED TOLERANCES 0.5-6 = ±0.2 >6-30 = ±0.4 >30-120 = ±0.6 >120-315 = ±1 >315-1000 = ±1.6 ANGLES = ±5°	10	FERRULE	BRASS	NICKEL	KA/2005/10527\ KA/2005/60362
	CHKD:		9	SPACER	DELTRIN	WHITE	KA/2005/10531
	DR:		8	CONTACT PIN	BRASS	GOLD	KA/2005/10527\ KA/2005/30993
PART NO: BNC1-179	DATE: 06/27/08"	UNIT: mm	7	SHELL	BRASS	NICKEL	KA/2005/10527\ KA/2005/60362
DRAWING NO: 50013-606(B002B179-96)	SHEET: .	SCALE: 3/1	6	WASHER	STEEL	NICKEL	KA/2005/10523\ KA/2005/60362
			5	SPRING	SK-5	NICKEL	KA/2005/10524\ KA/2005/60362
			4	C WASHER	STEEL	NICKEL	KA/2005/10523\ KA/2005/60362
			3	GASKET	PVC	RED	KA/2005/10533
			2	INSULATOR	DELTRIN	WHITE	KA/2005/10531
			1	BODY	BRASS	NICKEL	KA/2005/10527\ KA/2005/60362
			NO.	DESCRIPTION	MATERIAL	FINISH	SGS REPORT NO