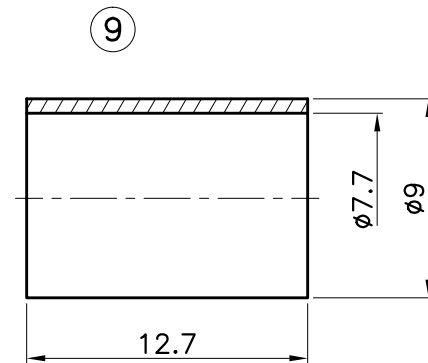
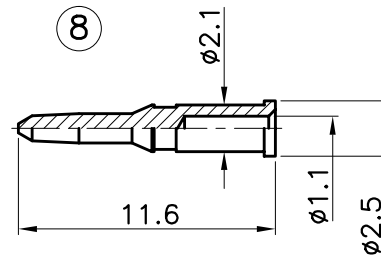
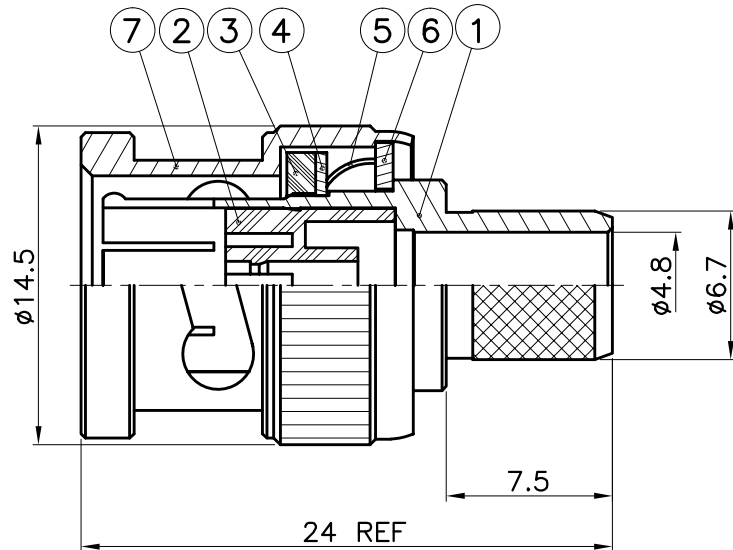


REVISIONS	
ISS	DESCRIPTION \ DATE

RoHS COMPLIANT



Impedance	50 ohm	75 ohm
Frequency Range	0-4 GHz	0-1GHz
Working Voltage	500 VRMS max.	500 VRMS max.
Dielectric Withstanding Voltage	1500 VRMS min.	1500 VRMS min.
VSWR	Straight	1.3 max.
	Right Angle	1.5 max.
Contact Resistance	Center Contact	3 Milliohms Max.
	Outer Contact	2 Milliohms Max.
Insulator Resistance	5000 Megohms min.	

APRD:	UNLESS OTHERWISE SPECIFIED TOLERANCES 0.5-6 = ±0.2 >6-30 = ±0.4 >30-120 = ±0.6 >120-315 = ±1 >315-1000 = ±1.6 ANGLES = ±5°	9	FERRULE	BRASS	NICKEL	KA/2005/10527 \ KA/2005/60362
CHKD:		8	CONTACT PIN	BRASS	GOLD	KA/2005/10527 \ KA/2005/30993
DR:		7	SHELL	BRASS	NICKEL	KA/2005/10527 \ KA/2005/60362
		6	WASHER	STEEL	NICKEL	KA/2005/10523 \ KA/2005/60362
		5	SPRING	SK-5	NICKEL	KA/2005/10524 \ KA/2005/60362
		4	C WASHER	STEEL	NICKEL	KA/2005/10523 \ KA/2005/60362
		3	GASKET	PVC	RED	KA/2005/10533
		2	INSULATOR	DELIN	WHITE	KA/2005/10531
		1	BODY	BRASS	NICKEL	KA/2005/10527 \ KA/2005/60362
		NO.	DESCRIPTION	MATERIAL	FINISH	SGS REPORT NO

TITLE: BNC MALE CRIMP (75 ohms)  
(FOR CT100)

PART NO: BNC1-100

DRAWING NO: 50205-010(B002B100-96)

DATE: 08/04/08"

UNIT: mm

SHEET: .

SCALE: 3/1