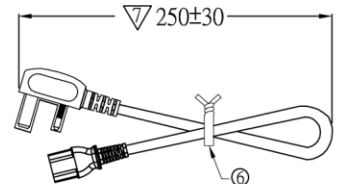
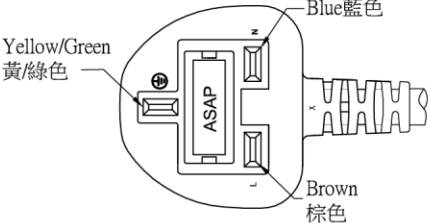
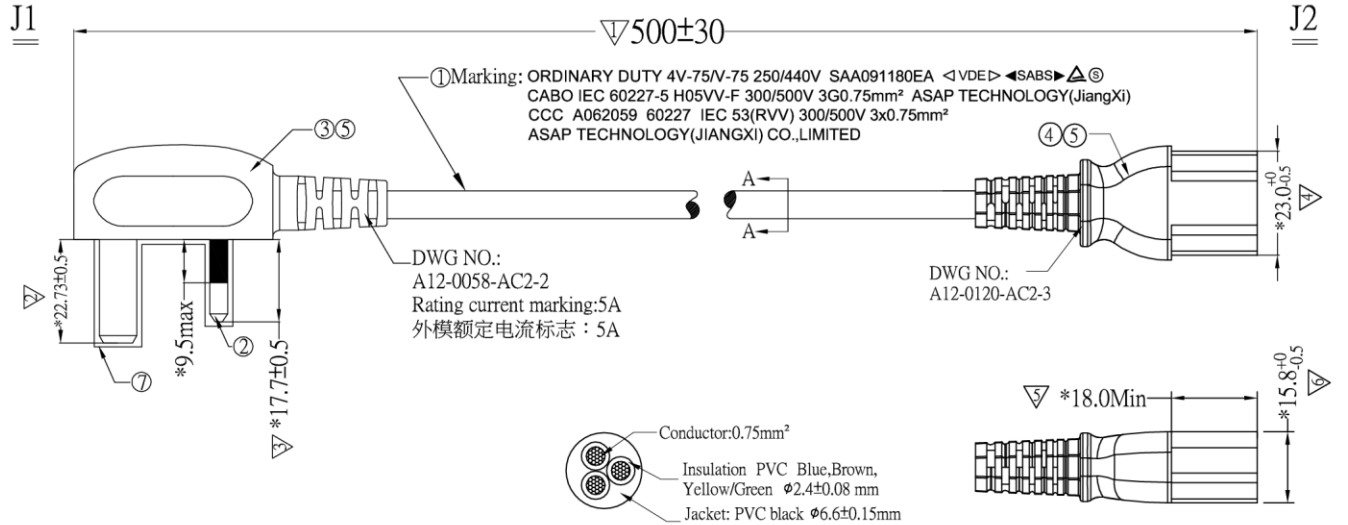


REV.	DESCRIPTION	DESIGN	APPROVAL	DATE
A	NEW	Hongmei	XL Deng	2018.03.26

Technical requirement 技术参数 :

- Electrical Characteristics Test 电气性能检验
 - Products 100% for electrical test. 成品100%电性测试.
 - Insulation resistance: No less than 100MΩ of 500V DC/0.4S.
绝缘阻抗: 大于或等于100MΩ 500V DC/0.4S.
 - Dielectric strength 耐电压
 - Between two conductors 2500⁺²⁰⁰0V AC for 1.0s Trip-current 1.0mA max.
导体与导体之间 2500⁺²⁰⁰0V AC /1秒, 漏电流1.0mA(max).
 - Between conductor and body 4200⁺²⁰⁰0V AC for 1.0s - Trip current 1.0mA max.
导体与本体之间 4200⁺²⁰⁰0V AC /1秒, 漏电流1.0mA(max).
- Mechanical Characteristics Test 机械性能检验
 - Withdrawal force 拔出力
 - For checking each PIN independently from the standard-gauge below 1.5N(Min) Keep for 3S or more.
标准量规对连接器插孔单PIN保持力为最小1.5N保持3秒以上.
 - For checking Integral withdrawal force 50N(Max) from maximum standard gauge. 标准量规(最大值)检查整体拔出力 50N(最大).
- Finished product conditions 成品状态
 - The attachment plug front show the test mark of "T".
插头主视面须有测试标志 "T".
 - The dimension with "▽" must be control and inspected importantly.
带 "▽" 尺寸需重点管控和检验.
 - The dimension with " * " is required by safety standard.
带 " * " 尺寸为安规尺寸.
- Standards 标准
 - The cord shall comply with IEC 60227. 线材符合 IEC 60227
 - The molded plug shall comply with BS1363-1. 插头符合 BS1363-1.
 - The molded connector shall comply with BS EN60320-1.
连接器符合 BS EN60320-1
- Environmental requirement 环保要求
 - Material and product comply with Doc No. "QW-Q-043" 《material-and product- of restricted substance control specification.
物料及成品必须符合 QW-Q-043 《材料与成品限用物质管理规范》.



Wiring method 接线方式 :

J1	cord	J2
E	Yellow/Green 黄/绿色	E
L	Brown 棕色	L
N	Blue 蓝色	N

Marking details J1 see the DWG NO. A12-0058-AC2-2
(J1端标志详见DWG NO. A12-0058-AC2-2)

Marking details J2 see DWG NO. A12-0120-AC2-3
(J2端标志详见DWG NO. A12-0120-AC2-3产品图)

ITEM	NAME	DESCRIPTION	Q'TY	UNIT
⑦	SLEEVE	Protecting of plug, White	PCS	1
⑥	TIE	BLACK PE tie hanking cord and meeting RoHS.	PCS	1
⑤	PLASITC	55P Black PVC pellets meet RoHS and UL94 V-0.	KG	
④	HOLDER	Holder for C13 connector, Brass+PBT9230, white, RoHS2.0	PCS	1
③	FUSE	5A fuse in line with BS 1362	PCS	1
②	INSERT	UK fuse plug insert with grounding, black	PCS	1
①	POWER CORD	H05VV-F 3x0.75mm ² Φ6.6±0.15mm black	MM	

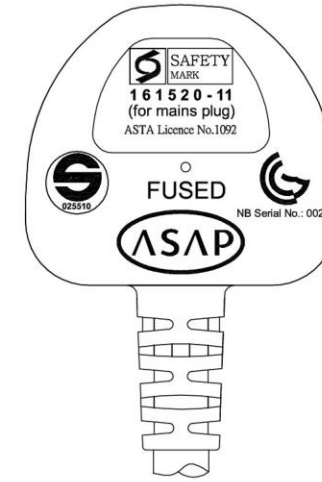
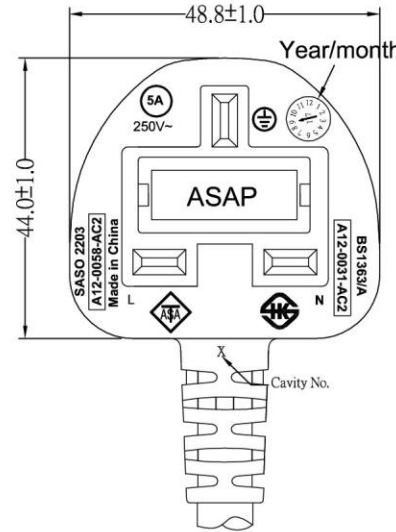
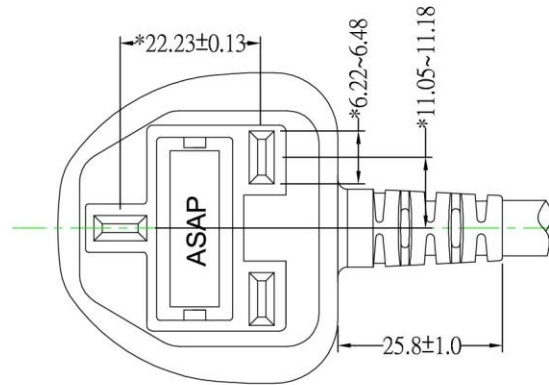
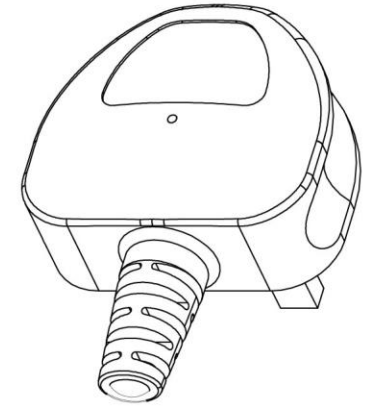
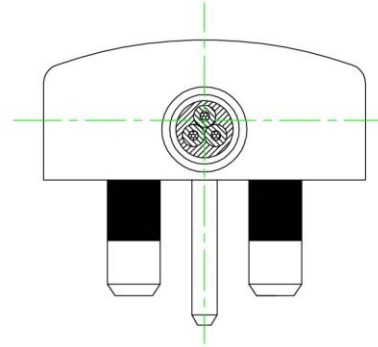
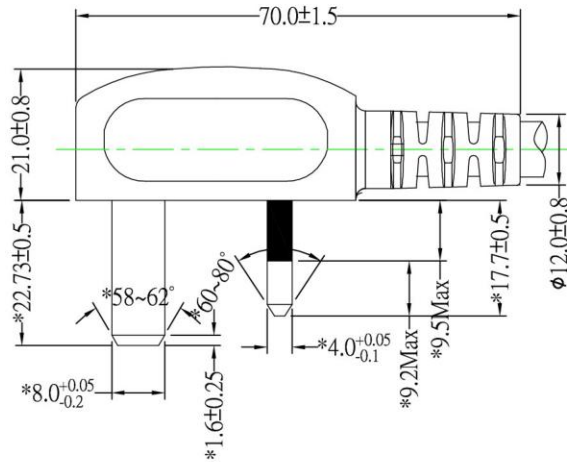
THESE DRAWINGS AND SPECIFICATIONS ARE THE PROPERTY OF LUXSHARE-ICT AND SHALL NOT BE REPRODUCED, COPIED OR CUED IN ANY MANNER WITHOUT THE PRIOR WRITTEN CONSENT OF LUXSHARE-ICT

P/N:42-0557

PART NO: L8CAC118-DT-R		TITLE: UK To C13 L0.5m black	
APPD: XL Deng		DWG NO: RDN18010532-001	
CHKD: Guangren Ouyang		SCALE	SHEET
DRAW: Hongmei Hu		NONE	1/1
		REV.	A

NOTE:
 Technical Requirement: The dimension with " * " is for safety standard.

REV.	DESCRIPTION	DESIGN	APPROVAL	DATE
A	NEW	JING LIU	QS LIU	2017.10.06

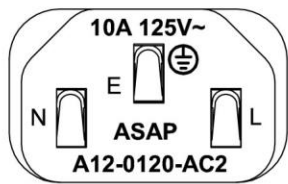
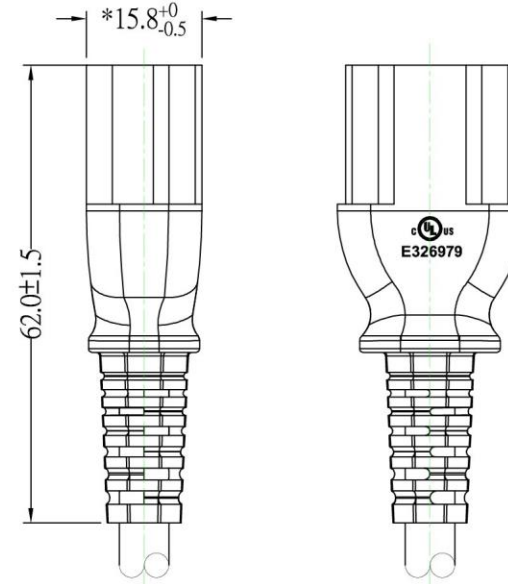
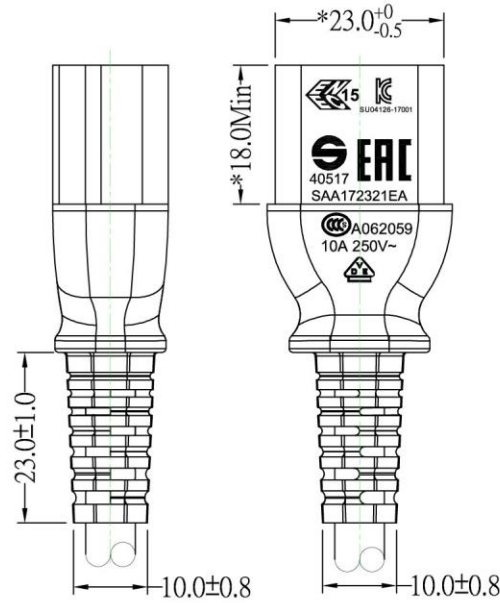
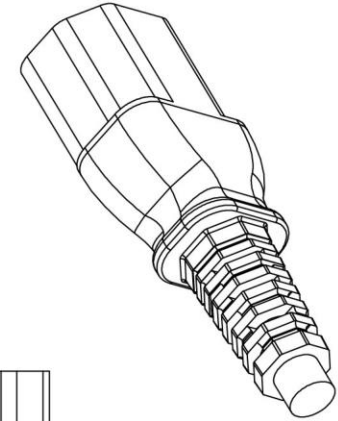
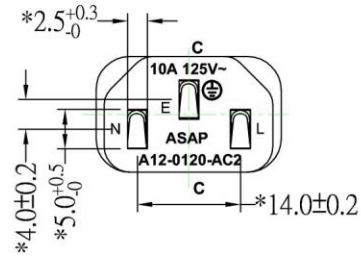
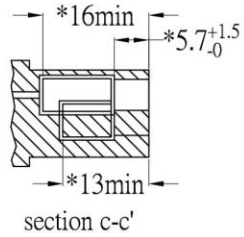


X. :±0.6	X.° :±1°	DWG TYPE: PRODUCT DRAWING	TITLE: SASO Three PLUG			
.X :±0.4	.X° :±0.6°					
.XX:±0.10	.XX°:±0.3°	MOUID NO: AC-P0058-x	DWG NO: A12-0058-AC2-2			
UNITS	mm	APPD: 欧阳光仁				
THESE DRAWINGS AND SPECIFICATIONS ARE THE PROPERTY OF LUXSHARE-ICT AND SHALL NOT BE REPRODUCED, COPIED OR CUED IN ANY MANNER WITHOUT THE PRIOR WRITTEN CONSENT OF LUXSHARE-ICT		CHKD: 刘秋顺		SCALE	SHEET	REV.
		DRAW: 刘景		NONE	1/1	A

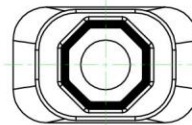
NO.	SPECIFICATION	Remark
1	H05VV-F 3×0.75mm ² φ6.8mm	Round Cable

NOTE:
 Technical Requirement: The dimension with " * " is for safety standard.

REV.	DESCRIPTION	DESIGN	APPROVAL	DATE
A	NEW	JING LIU	QS LIU	2017.9.27



Marking



X. :±0.6	X.° :±1°	DWG TYPE: PRODUCT DRAWING	TITLE: CCC/VDE C13 Connector			
.X :±0.4	.X° :±0.6°					
.XX:±0.10	.XX°:±0.3°	MOUID NO: AC-C0120-x	DWG NO: A12-0120-AC2-3			
UNITS	mm	APPD: 欧阳光仁				
THESE DRAWINGS AND SPECIFICATIONS ARE THE PROPERTY OF LUXSHARE-ICT AND SHALL NOT BE REPRODUCED, COPIED OR CUED IN ANY MANNER WITHOUT THE PRIOR WRITTEN CONSENT OF LUXSHARE-ICT		CHKD: 刘秋顺		SCALE	SHEET	REV.
		DRAW: 刘景		NONE	1/1	A

NO.	SPECIFICATION	Remark
1	60227IEC53(RVV) 3X0.75 E6.7	Round Cable