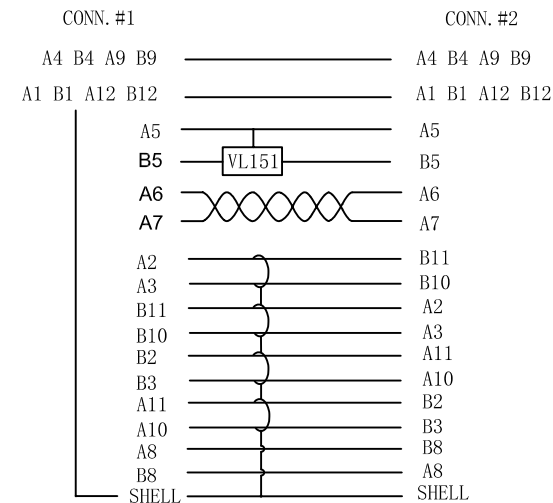


Pin OUT

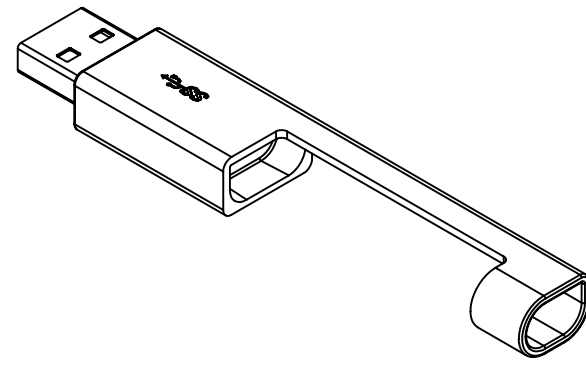
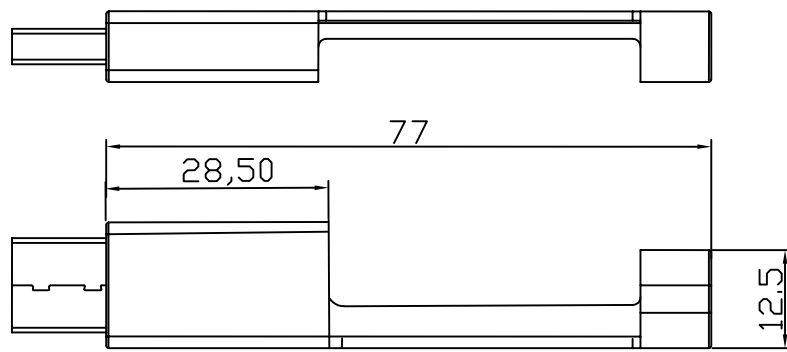
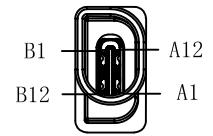
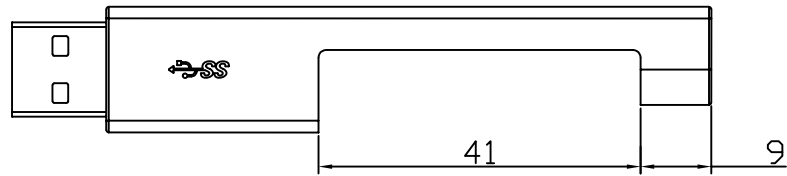
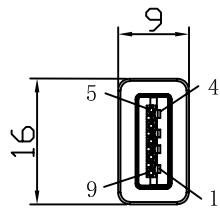


NOTE:

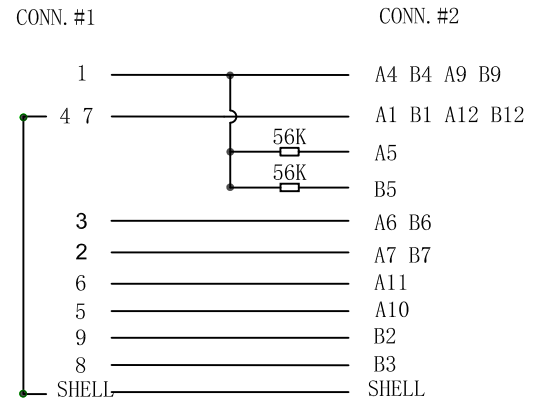
- 100% conduction, short circuit, misalignment test
- RoHS & REACH Compliant
- Marking: SUPER HIGH SPEED USB3.1 CABLE E252840 无 AWM 21572 80°C 30V VW-1 DESAN WIRE
- USB3.1 Gen 2 10G, 20V/5A

⑥	MOLDED	85A BLACK TPE		G
⑤	MOLDED	LD-PE		G
④	TINPLATE	NICKEL-PLATED UPPER AND LOWER COVERS	1	SET
③	CONNECTOR	USB 3.1 Type CM, BLACK INSULATION, NICKEL PLATED SHELL. WITH E-Marck+PCBA(VL152)	1	PCS
②	CONNECTOR	USB 3.1 Type CM, BLACK INSULATION, NICKEL PLATED SHELL. WITHOUT E-Marck+PCBA	1	PCS
①	CABLE	(30AWG*1P+DAM)X4+(30AWG*1P+AM)+32AWG*4C+23AWG*2C+AB BLACK TPE JACKET, OD: 5.3±0.2MM	1000	MM
NO.	MATERIAL	DESCRIPTION	QTY.	UNIT

Ltemref	Quantity	Title/Name, designation, material, dimension etc			Article No./Reference	
Designed by ACHY	Checked by HELEN	Approved by - date 29-10-2020	File name	Date 29-10-2020	Scale FREE	
ANGLE:				1m USB 3.1c Male - USB 3.1c Male with USB 3.0 Adaptor with IC Black		
UNIT:MM				40-4072	Edition 1	Sheet 1/2



Pin OUT



NOTE:
 1, 100% conduction, short circuit, misalignment test
 2, RoHS & REACH Compliant

⑤	MOLDED	85A BLACK TPE		G
④	MOLDED	LD-PE		G
③	PCBA	IC:VL160	1	PCS
②	CONNECTOR	USB 3.0 SMT AM BLUE INSULATION, NICKEL PLATED SHELL.	1	PCS
①	CONNECTOR	USB 3.1 SMT CF BLACK INSULATION, NICKEL PLATED SHELL.	1	PCS
NO.	MATERIAL	DESCRIPTION	QTY.	UNIT

Ltemref	Quantity	Title/Name, designation, material, dimension etc			Article No./Reference	
Designed by ACHY	Checked by HELEN	Approved by - date 29-10-2020	File name	Date 29-10-2020	Scale FREE	
ANGLE:		1m USB 3.1c Male - USB 3.1c Male with USB 3.0 Adaptor with IC Black				
UNIT:MM						40-4072