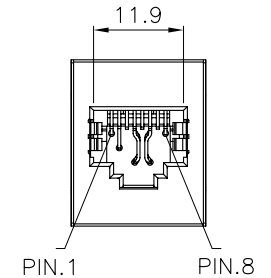
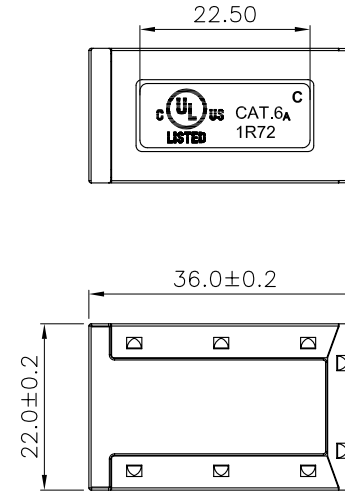
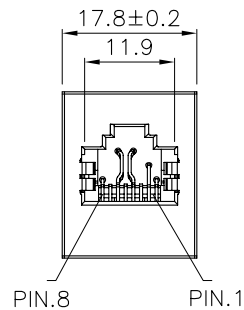


SCALE 1/1



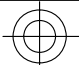
Specification :

Material :

1. RJ45 Jack :
 - 1-1. Housing : ABS, UL 94V-0, with Black color.
 - 1-2. Contact Bracket : PC, UL 94V-2, Transparent color.
2. RJ45 Jack Contact :
 - 2-1. Material : Phosphor Bronze with Nickel plated.
 - 2-2. Finish : 50 micro-inch Gold plated on Plug contact area.
3. RJ45 Jack Shield : Bronze with Nickel Plated.
4. PCB : FR4, UL 94V-0.

Performance :

- a. Insertion force : 30N max. (IEC 60603-7-5)
- b. Retention strength : 7.7 kg between Jack and Plug.
- c. Operating temperature : -10°C to 60°C. (ISO/IEC 11801, ANSI/TIA/EIA 568 B.2)
- d. Life(mating cycles) : 750 cycles min. (ISO/IEC 11801, IEC 60603-7-5)
- e. The CAT.6A channel transmission performance is in compliance with TIA/EIA 568C.2 10G & ISO/IEC 11801 standard.

	DSGN	Connie	12.NOV.2011	ITEM NO: 22 2139
	CHK	Maer	12.NOV.2011	
	SCALE	M/M	APPR	Frank
DWG NO:	22 2139			