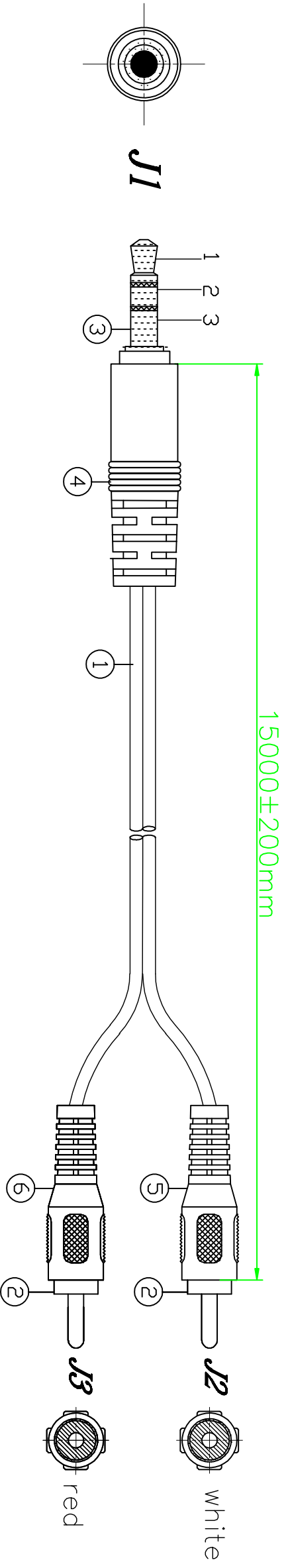


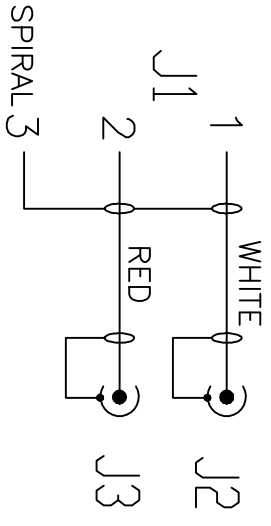
| | | | |
|-------|---------------|------|-------------------|
| RevNo | Revision note | Date | Signature/Checked |
|-------|---------------|------|-------------------|



REQUIREMENTS:

1:100% short,open and miss wire test.

PIN OUT



| | | | | |
|-----|-----------|--|------|------|
| ⑥ | MOLDED | RED 45P PVC | 8.4 | G |
| ⑤ | MOLDED | WHITE 45P PVC | 8.4 | G |
| ④ | MOLDED | BLACK 45P PVC | 8.4 | G |
| ③ | CONNECTOR | 3.5/M STEREO PLUG SOLDER TYPE BLACK INSULATOR, GOLD FLASH SHELL | 1 | PCS |
| ② | CONNECTOR | RCA TUBULAR MALE:,WHITE INSULATOR, GOLD FLASH SHELL | 2 | PCS |
| ① | CABLE | (10/0.10CCS+SPIRAL28*0.10CCS+PVC)*2C JACKET:BLACK PVC OD:2.8*5.6MM | 15 | M |
| NO. | MATERIAL | DESCRIPTIONG | QTY. | UNIT |

| | | | |
|---------------------|---------------------|---|--|
| Ltemref | Quantity | Title/Name,designation,material,dimension etc | Article No./Reference |
| Designed by ACHY | Checked by HELEN | Approved by - date MARCH 4,2012 | File name 35/M-RCA/Mx2-L=15M Date MARCH 4,2012 Scale FREE |

| | | | |
|-----------|--|---------|-------|
| 15MSP2RCA | | Edition | Sheet |
| | | 1 | 1/1 |